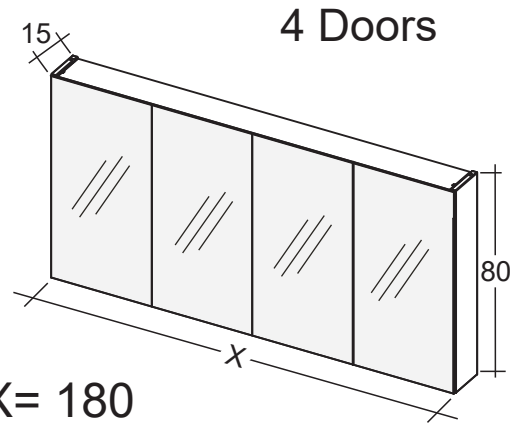
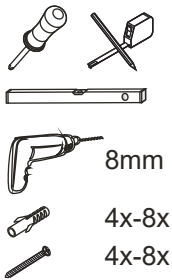


X= 120/140/160



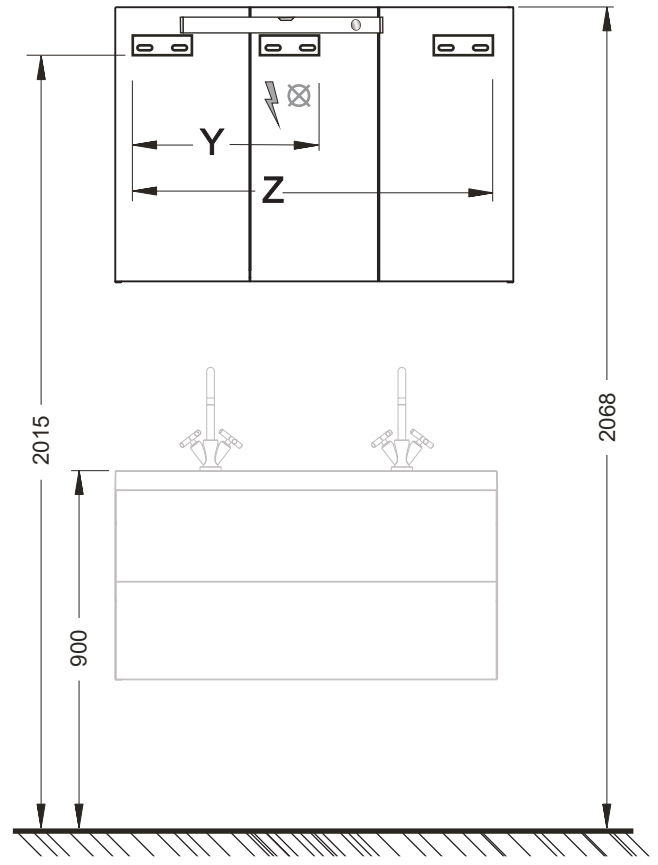
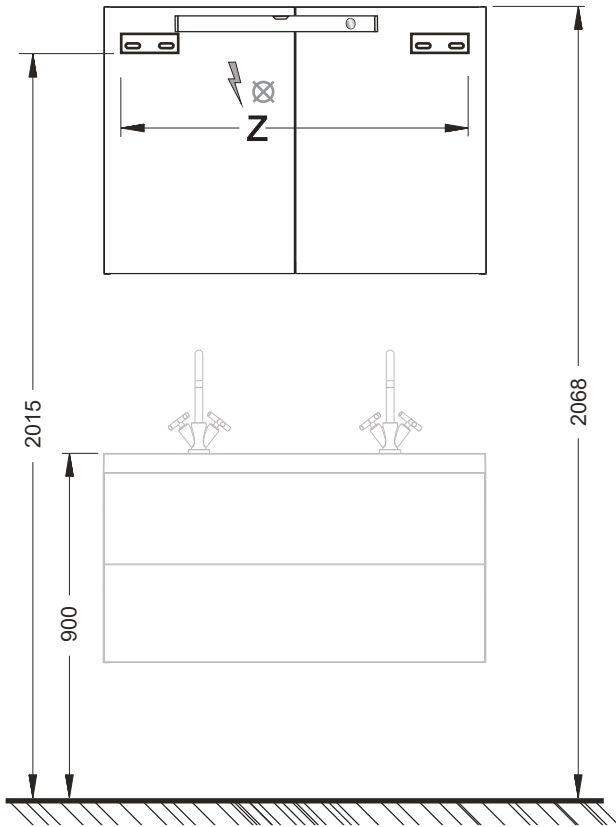
X= 180



	Y	Z
120	/	1160 mm
140	520 mm	1360 mm
160	600 mm	1560 mm
180	950 mm	1760 mm

120

140/160/180



EN: Replacing LED strip / NL: LED vervangen
 DU: LED ersetzen / FR: Remplacer LED

