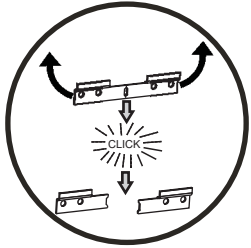
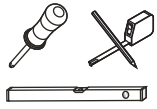
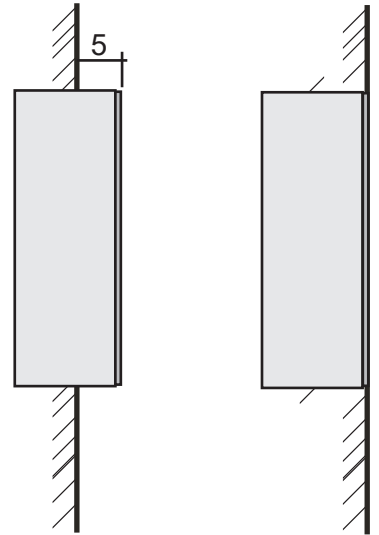
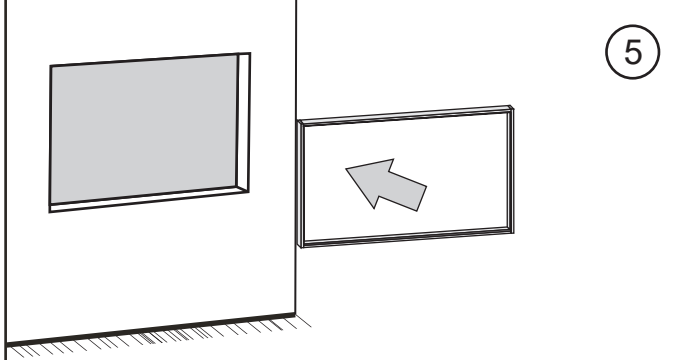
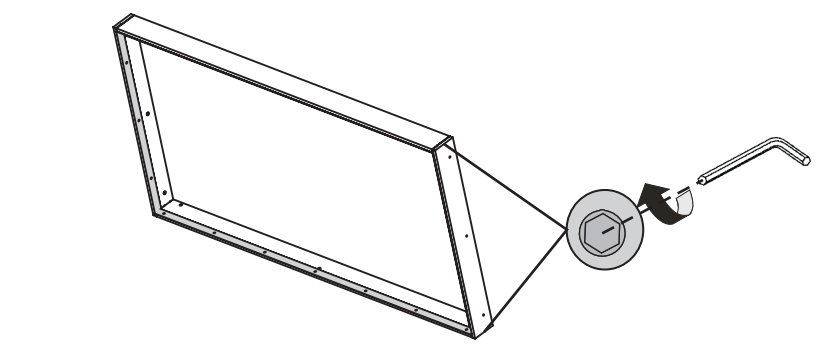
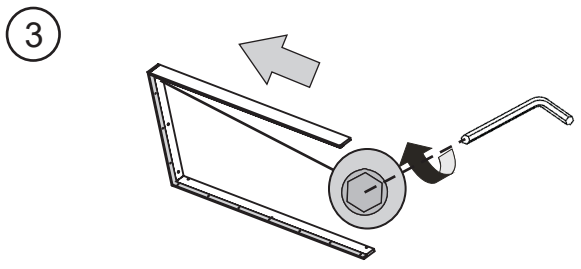
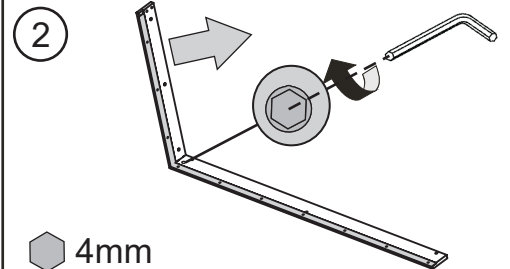
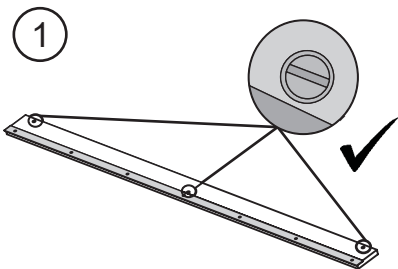
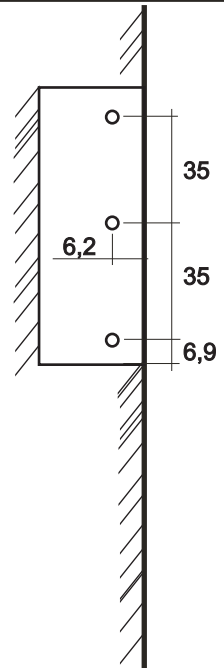
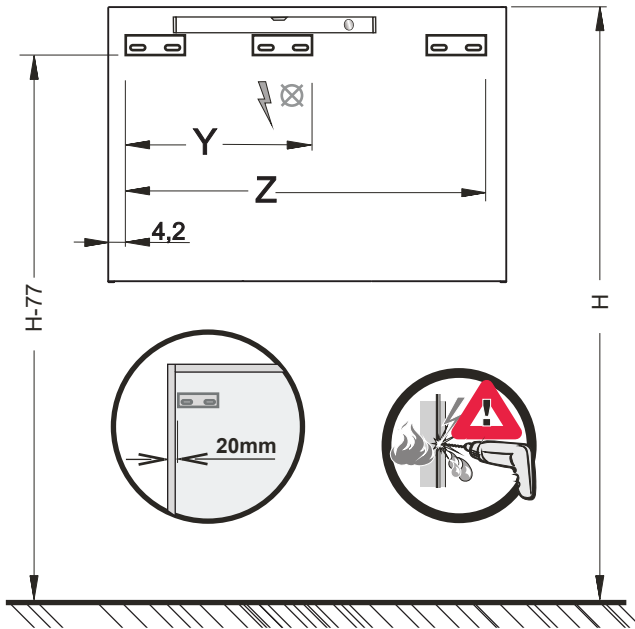


D min = 10cm    D max = 15cm

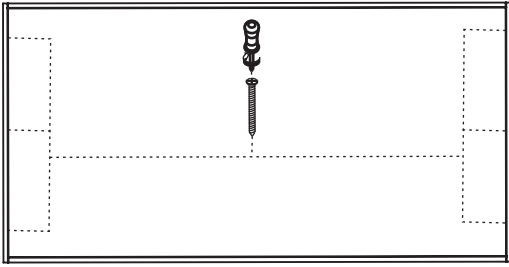


|     | Y      | Z       |
|-----|--------|---------|
| 120 | /      | 1160 mm |
| 140 | 520 mm | 1360 mm |
| 160 | 600 mm | 1560 mm |
| 180 | 950 mm | 1760 mm |

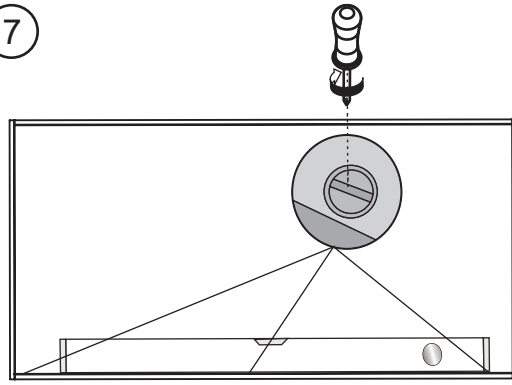
120/140/160/180



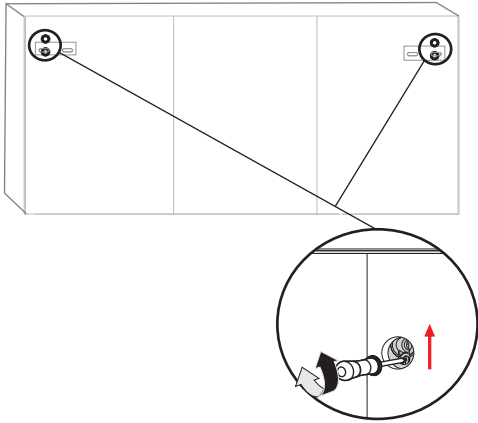
6



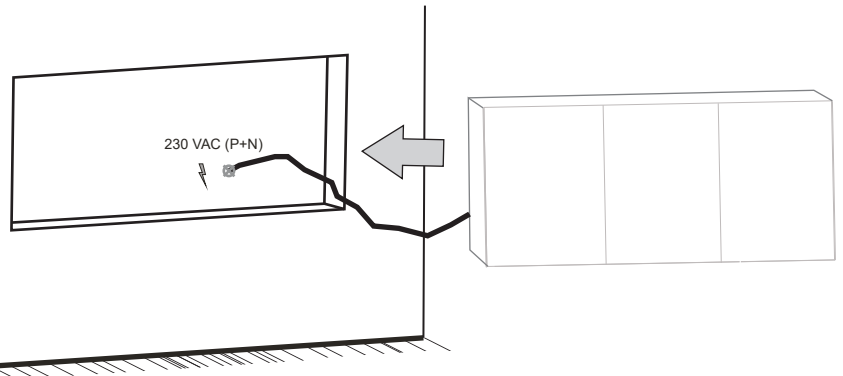
7



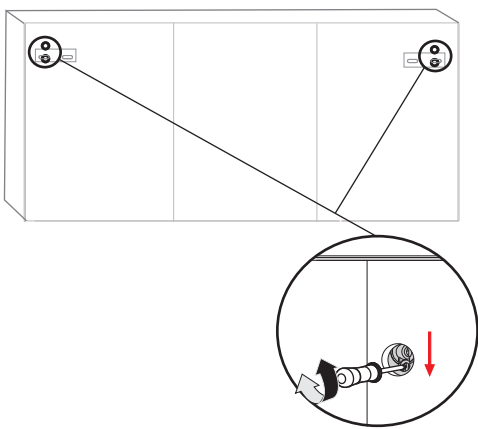
8



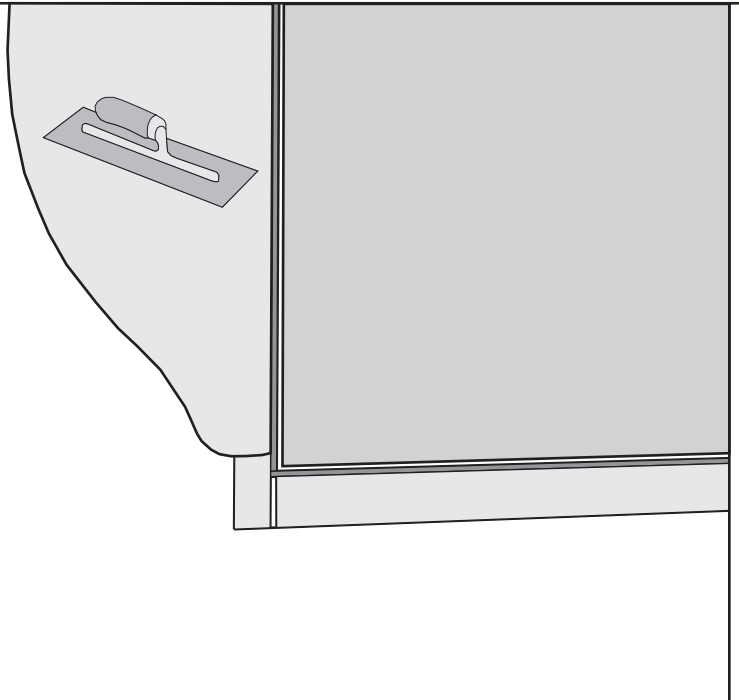
9



10



11a



11b

