

## NEO



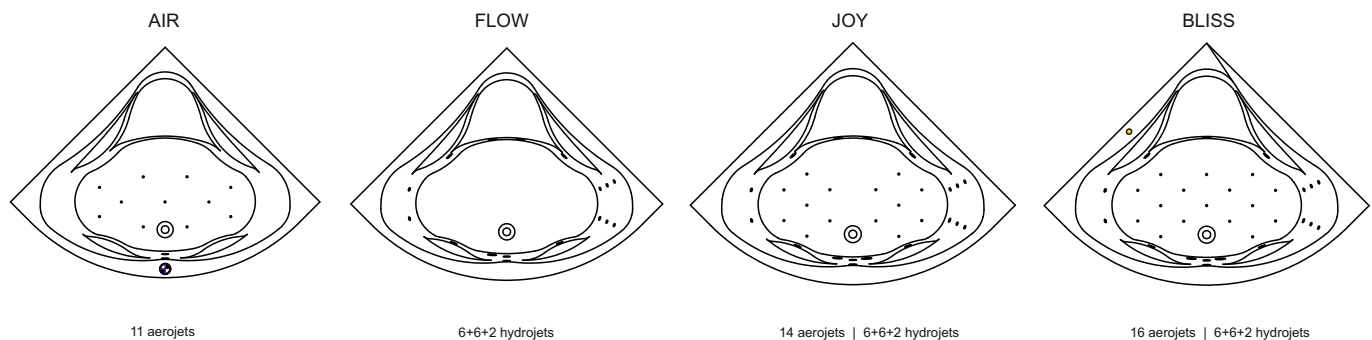
This high-gloss white bath is a symmetrical corner bath with a surprising amount of lying space. Ideal for the compact bathroom. The bath is quarter-round with a seat in the corner that is lowered into the inner shape. This, together with the ergonomically designed armrests, makes bathing in this bath a very pleasant experience. The interior space is very suitable for a small family.

Riho acrylic baths are made of high-quality cast acrylic, fully reinforced and all through white in colour. Our acrylic baths are non-aging and UV resistant. The material is completely pore-free and smooth. Lime will adhere poorly so no bacteria remain, also it makes the baths easy to clean. Its surface is pleasantly warm. Standard the bath doesn't include a legset and overflow/drain.

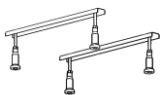
Article nr.	L x W x H (cm)	Volume* (ltr)	Weight (kg)	Water height (cm)	Option Rihopool**
<b>B076001005</b>	140 x 140 x 47,5	235	27	42	Air / Joy / Flow / Bliss
<b>B077001005</b>	150 x 150 x 49	285	28	42	Air / Joy / Flow / Bliss

\* The contents of the baths are measured including the (average) volume of one person.

\*\* Rihopool whirlpool systems already include a legset.



## Additional



Whirlpools already include a legset!

207093 for 140 bath  
207095 for 150 bath



Mc Alpine  
208867



Riho black  
208711



Viega Multiplex  
208873



Viega Multiplex Trio  
208875

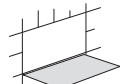
## Optional



Headrest 19  
207043



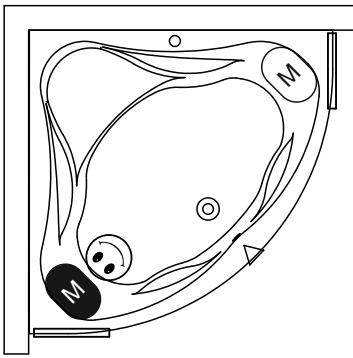
Headrest 19  
207044



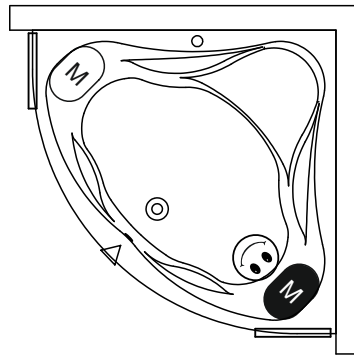
Inspection hatch  
207019

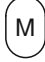



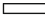
Data is subject to changes and/or errors

Right type



Left type

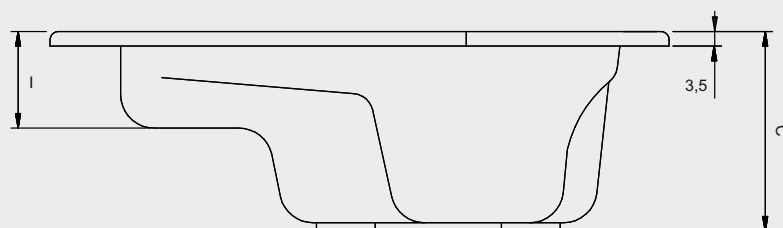
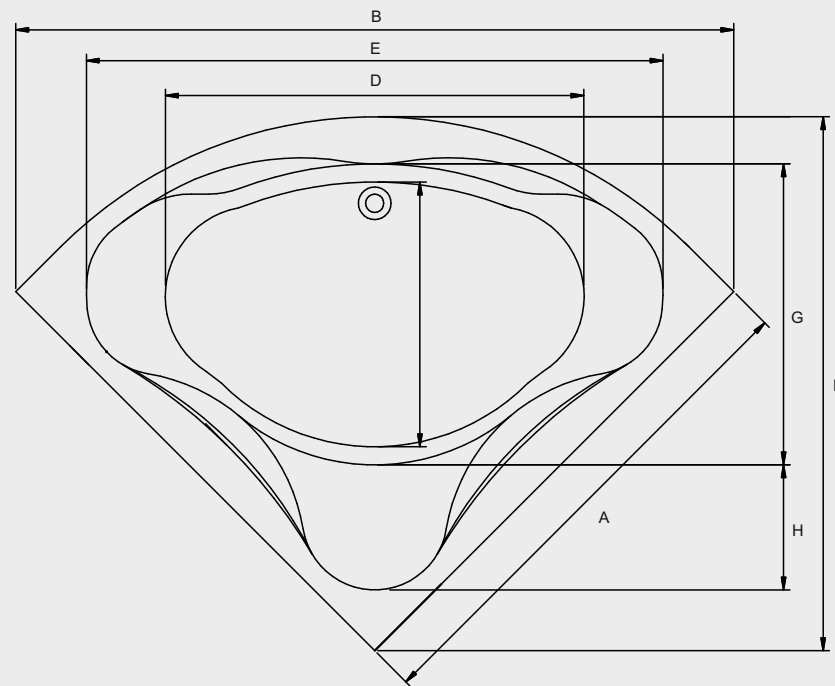


-  Motor in Air or Flow (Hydro of Aero)  
Hydro motor in Joy and Bliss (Hydro + Aero)
-  Aero Motor in Joy and Bliss (Hydro + Aero)
-  Control panel
-  Cleanpool inlet
-  Service hatch

BATH	Acryl panel	Height (cm)
B076001005	209262	57
B077001005	209263	57



Type	A	B	C	D	E	F	G	H	I
B076	140	196	47,5	113	159	146,5	83	35	23
B077	150	212	49	124	171	158	84,5	44	24



Data is subject to changes and/or errors